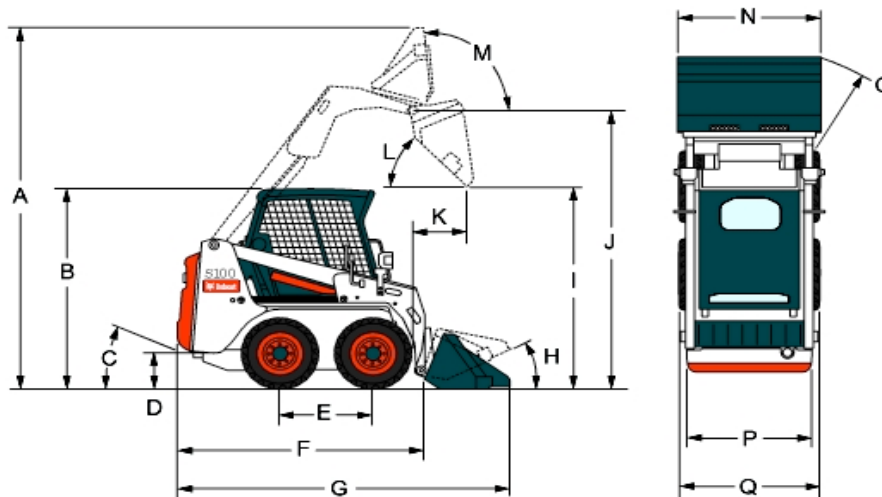


MINI BOBCAT - Specifications

S100 BOBCAT – Narrow access Skid steer without the power compromise of other mini loaders.

ONLY 1267mm WIDE



(A)	Operating height	3,430 mm
(C)	Angle of departure	25 °
(D)	Ground clearance	167 mm
(E)	Wheelbase	818 mm
(F)	Length without attachment	2,262 mm
(G)	Length with standard bucket	2,929 mm
(H)	Rollback at ground position	26 °
(I)	Dump height with standard bucket	1,971 mm
(J)	Height to bucket hinge pin	2,633 mm
(K)	Dump reach at maximum height	477 mm
(L)	Dump angle at maximum height	43.4 °
(M)	Rollback fully raised at maximum height	95 °
(N)	Width over standard bucket	1,267 mm
(O)	Turning radius with standard bucket	1,819 mm
(P)	Track, standard tyres	967 mm
(Q)	Width over standard tyres	1,182 mm